

ZJ-58A COMPUTERIZED BODY-CLEANING TOILET SEAT

USER'S INSTRUCTION



## I .Brief introduction

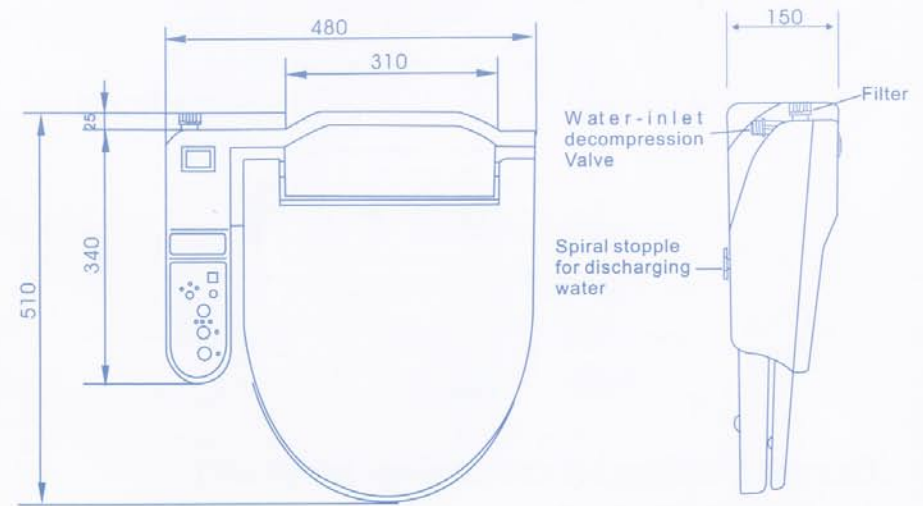
ZJ-58A Computerized body-cleaning toilet seat has divide into two types: general operation(ZJ-58A) and remote device operation(ZJ-58A/2).It has the functions of warm water washing, drying automatically and seat temperature heating etc. Spray pole and seat made from antibacterial plastic .water temperature, wind temperature and seat temperature can be adjusted by different temperature request .The product has a good physical therapy for patients who suffer from hemorrhoids, anus inflammation and colpitis etc .

### Considerate remind

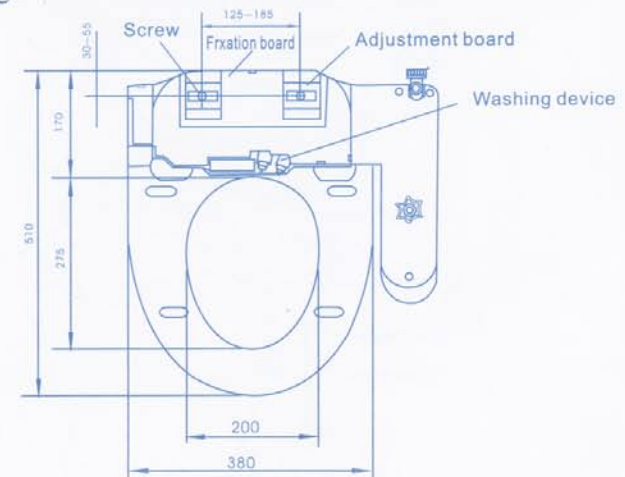
Please connect the water-inlet hose in advance . Then under the situation of completely open the water-inlet horn valve, Connect the supply power, otherwise the toilet seat will damage.

## II.Product configuration and installation

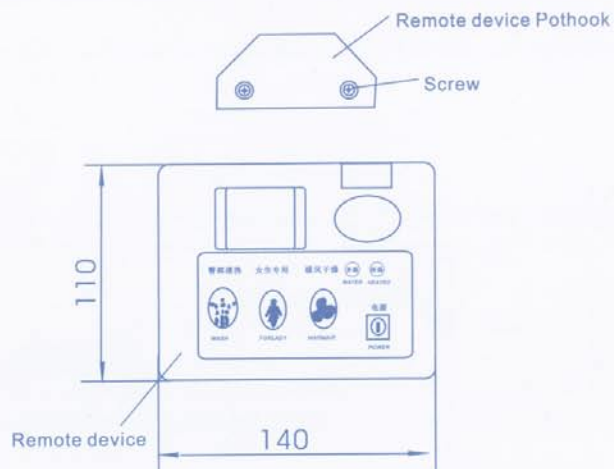
Drawing 1: Product exterior dimension



Drawing 2. Product& toilet seat installation



Drawing 3: Remote device exterior dimension



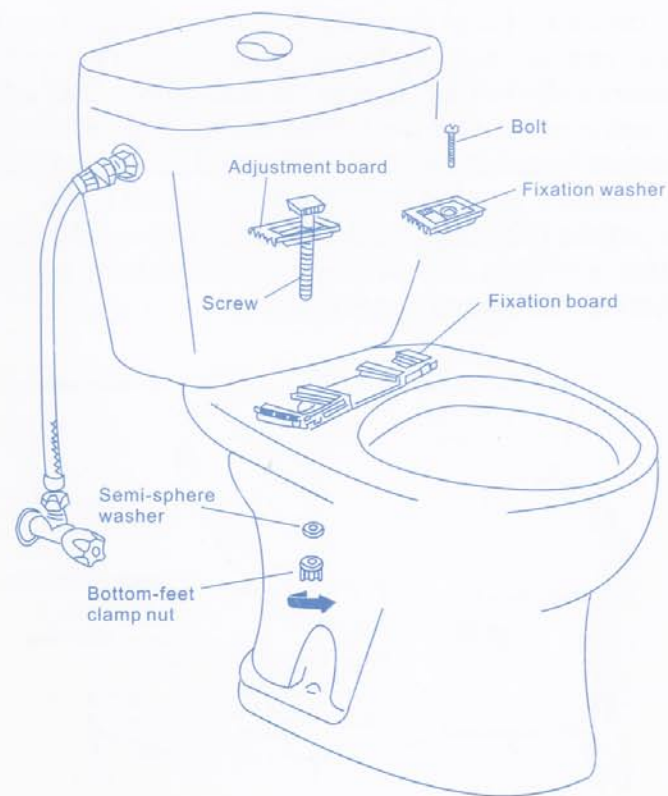
Drawing 4. Take off the original toilet seat

- 1、 Unscrew the nut;
- 2、 Take off the original toilet seat and wipe the top surface of the bowl



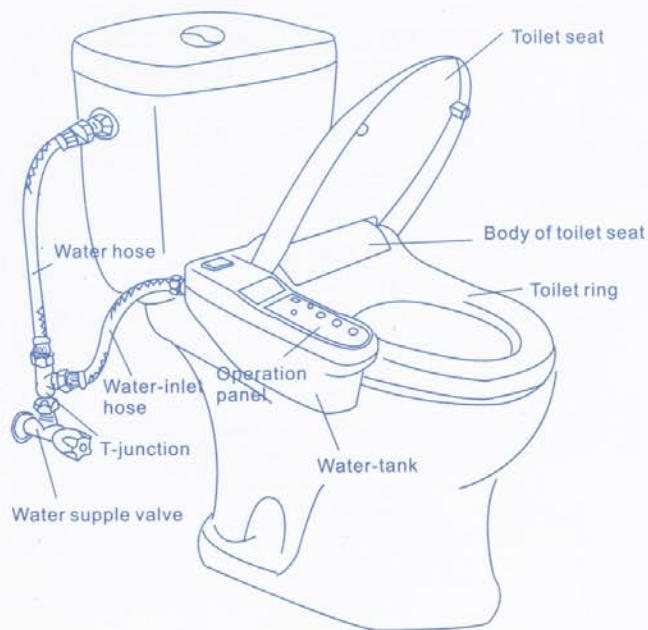
Drawing.5: Fixation board installation

- 1、 Put the fixation board on the installation hole of toilet seat , Inlay the adjustment board ,then insert the screw.
- 2、 Put the hemisphere washer into the screw underside, then unscrew the nut to fix the fixation board.
- 3、 If the toilet seat itself inlay the fixation board with clamp nut .Put the fixation board into the long slot of the adjustment board .then use the original bolt to fix .

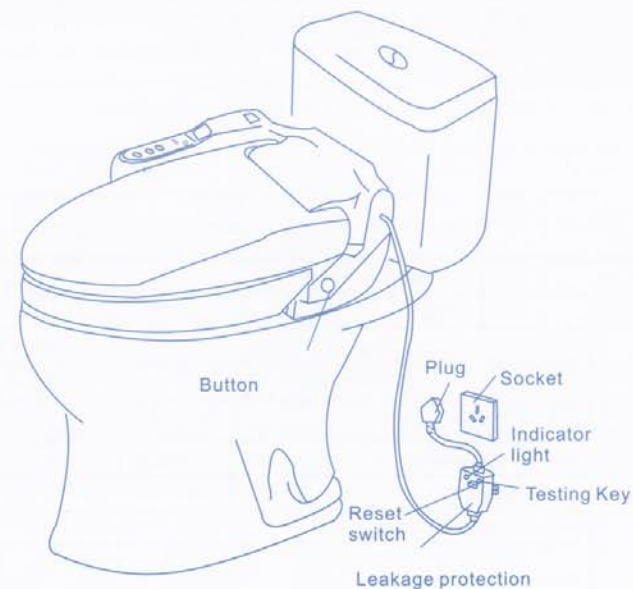


### Drawing6:body of toilet seat fixation and water-inlet hose installation

- 1、 Push the computerized body-cleaning toilet seat into the fixation board which has already fixed. It shows the toilet seat has already combined with the fixation board when it pulled by hand and can not remove .
- 2、 When the distance between the front of the toilet ring and the front of bowl is too big to adjust .It should take off the toilet seat from the fixation board. Use the right hand press the button(refer to drawing 7)to inner(about 5mm).Pull the toilet seat strongly by hands ,then you can take off it.
- 3、 Unscrew the bottom feet of the nut or bolt ,take off the adjustment board from the fixation board ,.Remove the fixation board to adjust forward and backward distance. Then renew to inlay the adjustment board to fix .
- 4、 As per the drawing , install the computerized body-cleaning toilet seat, then connect the water-inlet hose and open the horn valve of water supply .



### Drawing 7: Connect power supply



### III . Main technic parameter

Model	ZJ-58A	ZJ-58A/2 with remote device	
Voltage/Frequency	AC220V50Hz Or AC110V60Hz		
Rated Input Power	850w		
Length of Supply cable	1.8m		
Safety Device	Leakage Protector(Operating Current=15Ma)		
Applicable Water pressure	0.15 - 0.75 MPa		
Dimension	510*480*150mm		
Net Weight	5.5kg		
Warm water washing	washing manner	buttocks washing Women special Washing	Three orifice Strongly washing six orifice softly washing
	Water Flow capacity	0.6~1.1L/min	
	Water Tank Capacity	about1.1L	
	Heater Power	500w	
	Water temperature adjustment	Room Temperature to34℃.37℃.40℃	
Safety Device	Leakage Protection. Overheat Protection.Anti-dry Protection		
Warm Air Drying	Seat Heater Power	45w	
	Seat temperature adjustment	Room Temperature 37℃	
	Safety Device	Heater protection 50℃	
	Open-close Device	Soft-close Seat	
	Max Power of warm air drying	300w	
	Air temperature adjustive sequence	low, high normal temperature, close	
Safety Device	double heater protection:105℃ /150℃		

### IV . use manner

#### 1. Supply water of water-tank and washing

After installation ,please open the water supply horn valve ,then connect the power supply. During the first water-inlet time around 40seconds.As per the situation of the water supply quality to clean the filter and water-tank periodically .Close the water supply horn valve ,unscrew out the filter which on the water-inlet decompression valve .After washing ,the filter net will not block up. when cleaning the water-tank ,you might unscrew the spiral stopple which located underside of the water -tank .On the state of power supply connecting, Clean the dirtiness inside the water-tank .

#### 2. Warm water heating

As per the requirement to set heating temperature .The water temperature to be set four-levels :close(normal )low(34℃)middle(37℃)high(40℃),it might be according to the regulating key of water temperature circularly set .During the course of washing ,the heating temperature indicator light quench.

#### 3. Washing function

Press the washing key .The spray pole will wash itself automatically . It will begin to work when it spray out .Renew the key to stop working and pole return back .The key of buttock washing or special washing can be mutually pressed each other, about 2seconds of conversion time .During washing ,the corresponding indicator light glittery .The longest durative time about 4minutes for one time washing .If it need continually use, please re-press the key. During the washing ,the air machine can not start .It don't have the function of mutually lock.

#### 4. warm -air drying

Warm-air drying set four level : Close ,low ,high ,normal .Under the working state of air machine ,the longest durative time about 4minutes then it will turn off automatically. If you still need use ,re-press the drying key.

#### 5. Seat heating

Seat temperature set 2levels :close(normal ) open (37℃)

#### 6. Connect power supply

After the plug insert the socket ,the indicator light of leakage protection device will glittery. Press the power key on the operation panel .Power indicator light is shining, on the state of waiting ,The toilet seat can be running by multi-functions operate and use .As per the drawing 7.every month press the testing key one time .Here ,the indicator light should quench .Press the reset key ,the indicate light glittery .This shows the leakage protection device working normally .

#### 7. Remote device operation and use

ZJ-58A/2 with remote device ,operation function of remote device and operation panel have the same function .it can select to use. As per drawing 3.Fix the pothook of remote device on the wall to operate .Also you can operate by hand directly. After using ,hang on the pothook again .When the screen is faintness or the operation is ineffective .it should change the batteries timely and avoid to knock for fear to damage.

## V . Safety notice

1. Please read this instructions carefully before use.
2. Please confirm whether the supply power accord with the rated voltage of toilet seat .Make sure the three core socket have reliable earthing inside.
3. This product requires AC power of 220V.50Hz or AC power of 110V. 60Hz.
4. Please don't use the loose socket match the plug
5. Please don't insert or pull the plug with wet hand and don't draw the supply cable directly.
6. Please don't spray water on the body of toilet seat and lay it far away from fire source. .
7. Children can use this product only with adult's ward ship, treading with foot and striking with heavy objects on this product are strictly forbidden.
8. Please use soft wet-clothing wipe the surface of toilet seat instead of any organic impregnant .
9. when long time non-use ,Please close the water-inlet horn valve .take off the plug and discharge the water from water tank.
10. When it appears malfunction , Please take off the plug and call professional technician for repair.

## VI . Normal cause or solution

phenomenon	cause	solution
Power non- connectable	socket no power or the plug become loose	check the socket power or see if the plug match socket
	The power supply cable or the leakage protection damaged	It should be replaced by professional technician
	Inside of the body appears the malfunction	
non water for spraying	The outside tap water-pressure is too lower	check if the supply water-pressure match toilet seat
	Water-inlet filter block or the spray orifice block	Cleaning filter net or let spray pole spurt out the water to wash the orifice .
	Spraying function badly touched or circuit damaged	It should be replaced by professional technician
water non-hot for washing	Water temperature is too low	Adjust the water temperature set-level
	Galvanothermy pipe or the apparatus part damaged	It should be replaced by professional technician
Toilet seat non-warm	The keystoke of seat temperature or the inside apparatus parts badly touch	

## VII . After-sale service

Buyers are provided with Quality Warranty and Service Card.. Please fill in them with the dealers name, date of purchase, user's name(organizations name),residential address, contact phone number. Correctly, read the warranty clauses carefully and keep them well. The warranty period is one year from the date of purchase. If Anything not clear on our after-sale service policy. Please enquire of the service center.

In case of abnormality in the warranty period ,please, contact with our service department, The repair material cost is payable by users if problem occurs after the warranty period.